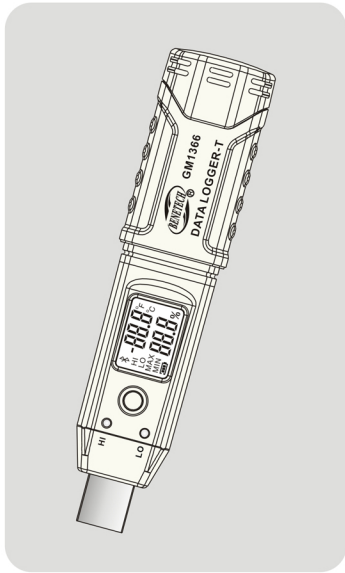




MODEL: GM1366

Temperature Logger Instruction manual



Version: GM1366-EN-00
7161367002 A0

I. Introduction

This digital low power consumption product combines signal collection/display/ storage and analysis functions, being widely applied in medical/pharmacy/agriculture/ food process/biochemistry laboratory/electronics manufacture/ air-conditioning /archive management/archaeological studies/textile fiber/cold chain transportation solutions via environment monitoring/alarming/recording.

II. Features

- ▲ Suitable for humid and dusty environment with special IP67 water-proof structure.
- ▲ High precision and quick response.
- ▲ Low power consumption design for continuous operation over 12 months with 1/2 AA3.6V lithium battery which can be replaced quickly.
- ▲ Allowing to set upper and lower limits for temperature alarming, the LED light flashes if the reading is beyond limits.
- ▲ Large data storage up to 61440 groups of data.
- ▲ Attached with PC analysis software for users to manipulate the unit.

III. LCD Display & outer appearance

1. LCD display: Figure 1

- A. Blue teeth icon
- B. Reading
- C. Temperature unit icon
- D. Upper limit alarming icon
- E. Lower limit alarming icon
- F. Maximum reading
- G. Minimum reading
- H. Battery volumn

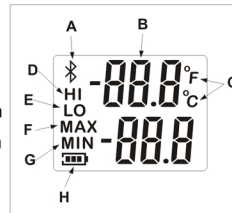


Figure 1

2. Outer appearance: Figure 2

- (1) LED alarm
- (2) Keys
- (3) LCD
- (4) Battery fixer
- (5) USB socket
- (6) Water-proof ring
- (7) Transparent water-proof case
- (8) Bracket

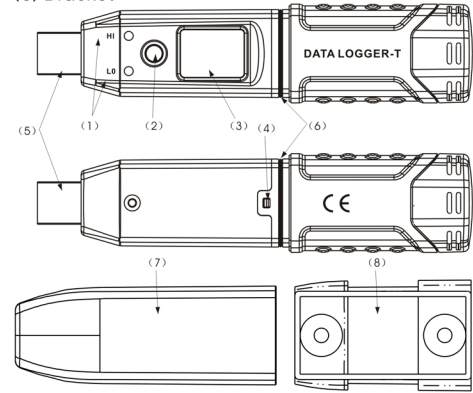


Figure 2

VI. Keys

Turn on the unit by short press on the key and the number available to save the data appears in a short while, which upper three digitals denote hundred thousands place, ten thousands place and thousands place while the lower 3 denote hundreds place, tens place and ones place. The left reading in figure 3 means 61440 groups of data remaining for record and the right reading in figure 3 means no room for further recording. The temperature reading/date/time appears 2 seconds later. Short press on the key to review the next interfaces.

- 1) The upper digitals denote just-in-time temperature while lower ones denote upper limit and HI appears.
- 2) The upper digitals denote just-in-time temperature while lower ones denote lower limit and LO appears.
- 3) The upper digitals denote just-in-time temperature while lower ones denote maximum reading and MAX appears.
- 4) The upper digitals denote just-in-time temperature while lower ones denote minimum reading and MIN appears.
- 5) The upper digitals denote thousands place and hundreds place of a year and the lower digitals denote tens place and ones place.
- 6) The upper digitals denote month and the lower day.
- 7) The upper digitals denote hour and the lower minute.
- 8) The recording interval in terms of second appears by the upper digitals denoting ten thousands place and thousands place while the lower digitals give hundreds place, tens place and ones place.

The maximum and minimum readings above are the ones happened after this turning on. After turning on, the device begins to record the temperatures at an interval preset until the device is powered off or being connected to the PC via USB socket.



Figure 3 (The remaining groups for saving the data)

V. Host computer software

All parameters including time/date/recording interval/upper and lower limits/temperature unit must be configured in the software attached with this device. There is detailed operation instruction in the disc attached.

1. Configuration requirements of the PC

- (1) Only be installed under Windows OS.
- (2) With CPU frequency above 1.6Ghz and inner memory above 256M.
- (3) At least one USB interface is required.

2. Data-Logger installing

- (1) Put the disc into the drive and run the file "Setup.msi" to install the program. If it is failed to install the program, please install first this program "Microsoft. NetFramework 3.5" and reinstall the program.
- (2) Operate as the alerted by the installation wizard to finish the installation. (Note: It is not recommended to install the program in the OS partition of the PC so as to protect the file be lost in case of reinstall the OS program for PC.)

VI. Replacement of battery

To save electricity, this device applies hardware power detecting method that only shows empty or full status, and rare making mistake.

When replacing the battery, press the snap on the battery compartment by a tool and open the battery door to load fresh battery.

Taking out the battery results in deleting the time and date information, so the time and date must be reset after re-loading the battery.

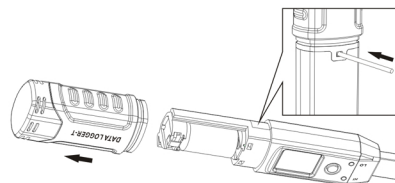


Figure 4 (Battery installment)

VII. Notification

- ▲ For only water-proof degree IP 67, please do not operate the main device in liquid.
- ▲ With water-proof and anti-dust design, the temperature reading may be given with a delay.
- ▲ With ABS case, the device prevent acid-base erosion.
- ▲ Please strictly follow the steps specified in the manual while replacing the battery or disassembling the device.
- ▲ The battery cannot be rechargeable, otherwise it is dangerous. The abandoned battery must be dealt with following the local law.

VIII. Technical parameters

Precision	Typical ±0.5°C (See Fig 5)
Response time	5~30S
Measuring range	-30~80°C
Memory size	61440
Power	1/2AA 3.6V Lithium Battery
Size	126*28*22mm
Weisht	49g
Accessories: Cover, Braclet, Screw*2, CD, Lithium Battery	

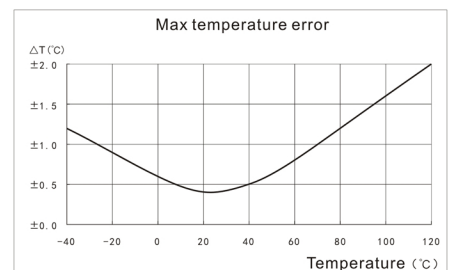


Figure 5()

Specific Declarations:
Our company shall hold no any responsibility resulting from using output from this product as an direct or indirect evidence.
We reserves the right to modify product design and specification without notice.

